

Handling Crushes

Odel Crush Complete

- 4 Bar Fixed and Hinged Panels
- Side access Pedestrian gate and rear gate.
- Extra heavy poles
- Semi-Auto Crush Gate, width adjustable and lockable in open position
- Hot-Dip Galvanised
- Will take Hoof Knack foot winch



Centurion Rotating Rump

- Hinged doors allowing full access to animal flanks
- Rotating Rump bar
- Heavy Duty

Warrior

- Adjustable neck yoke with front cage
- Sliding access panel on one side
- Captive rump bar facility
- Rear gate
- 3 Point-linkage

Crusader

- Captive Rump Bar facility
- 3-Point Linkage
- Rear gate
- Heavy duty adjustable neck yoke with front cage
- Pallet fork lifting points

Saracen Rotating Rump

- Quick adjust self closing gate with 7 yoke settings
- Hinged side doors for full access to animals' flanks
- Rotating rump bar
- Pallet fork lifting points

Saracen Full Access

- Quick adjust self closing gate with 7 yoke settings
- Hinged side doors to allow unobstructed access
- Captive rump bar facility
- Rear gate

Saracen Dual Width

- All features of Saracen full Access
- Easy operation adjustment of side panels
- Internal dimensions. 738mm, 659mm or 580mm

Swing Arm Super Scoop Attachment

- Immobilise the animals head side to side movement
- Ideal for mouthing, drenching, eye treatment, ear tagging and implants
- Greater safety for the animal and operator
- Easy attachment to gate

Options:

- ✦ **Anti- Backing gate**
- ✦ **Weighing. Tru-Test Loadbars and Digital Indicators.**
- ✦ **Saracen Crush Gate in Frame available separately**
- ✦ **Complete foot trimming set (except for Warrior and Crusader)**



E&OE We reserve the right to alter specifications and prices without notice



O'Donovan
ENGINEERING

O'Donovan Engineering (CO. LTD.)

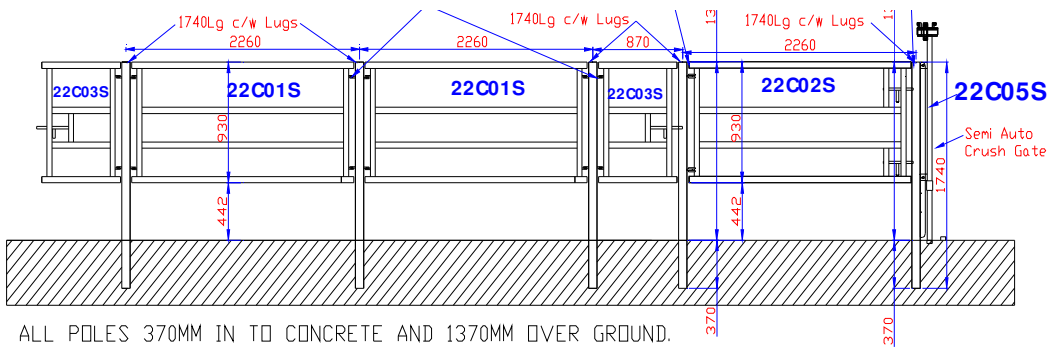
Coachford, Co. Cork, Ireland

Tel: 021 733 4066 Fax: 021 733 4520 (Int+353 21)

E-mail: sales@odonovaneng.ie

www.odonovaneng.ie

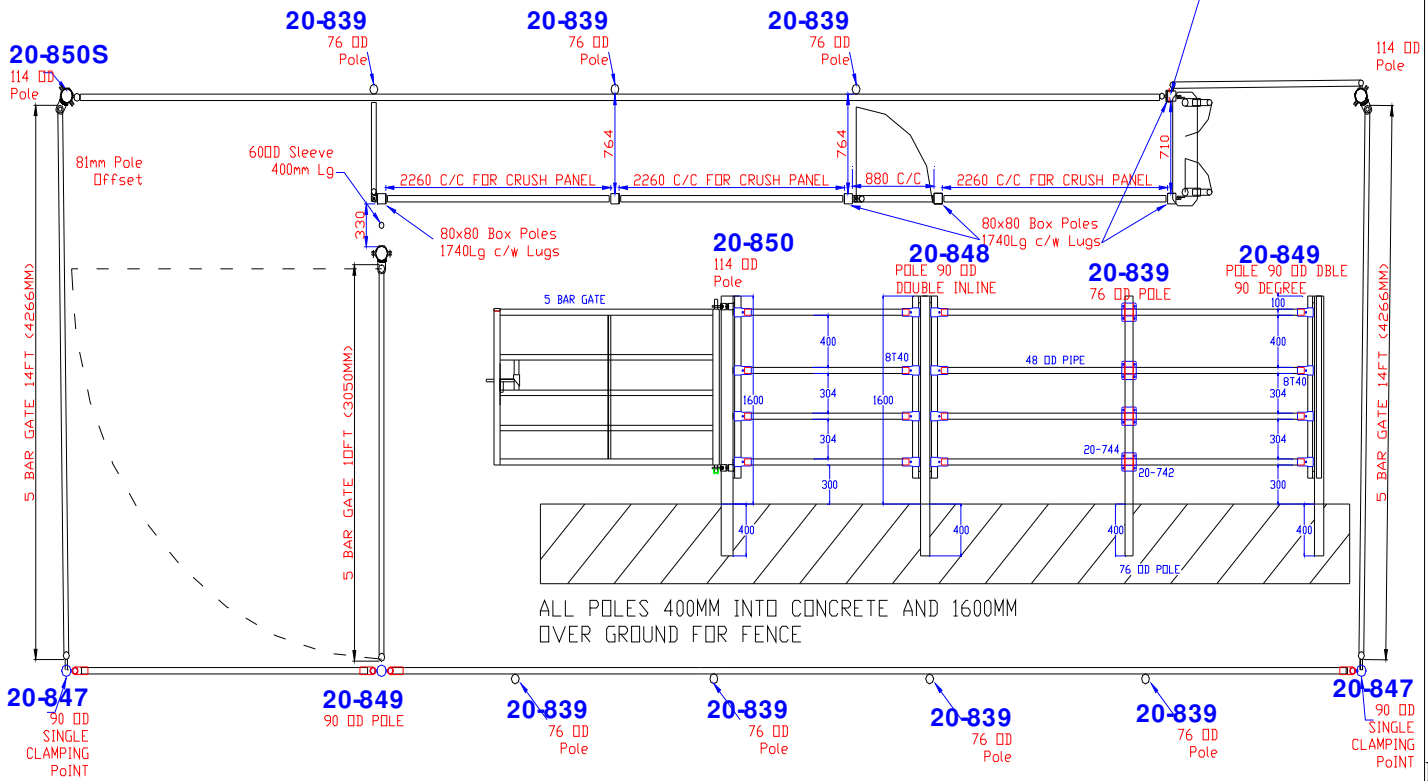




APPROVALS		TITLE:
NAME	DATE	CRUSH & PEN LAYOUT
SCALE	WORK DRD. NO.	DRAWING NO.
		ISSUE

O'Donovan Eng. Ltd.
Coachford, Co. Cork

ALL POLES 370MM IN TO CONCRETE AND 1370MM OVER GROUND.



}}

EM

