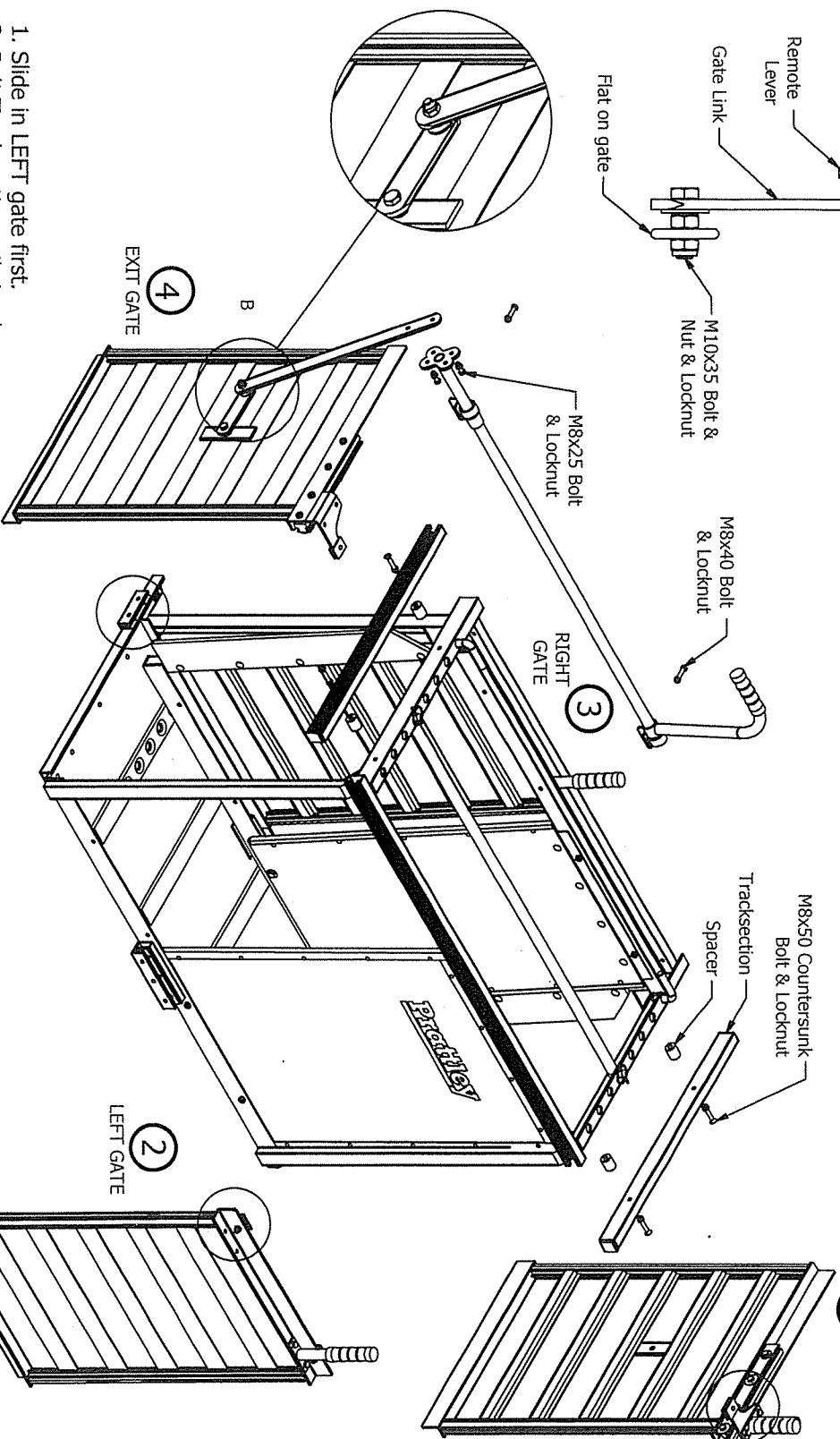
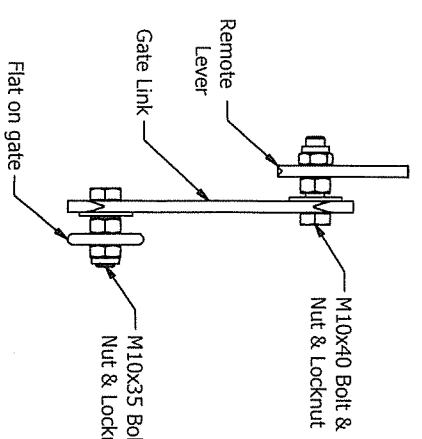


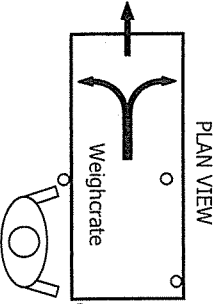
MANUAL WEIGHCRATE UNIVERSAL (RIGHT HAND)

ENTRY GATE

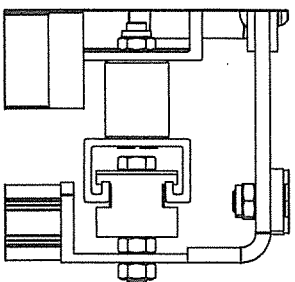


1. Slide in LEFT gate first.
2. Bolt Tracksection rails in place.
3. Slide in gates according to number indicated. (Note: Bottom of gates guides)
4. Bolt remote lever in place.
5. Bolt remote lever to gate link.

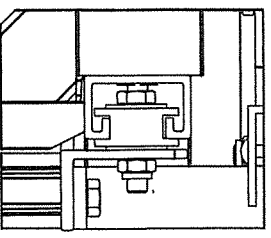
**** Use only silicon spray on Nylon Slide ****



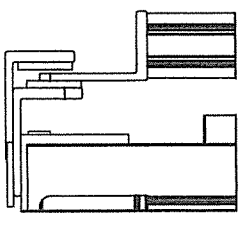
Operator Position for Right hand entry



ENTRY GATE (1)
EXIT GATE (4)



LEFT GATE (2)
RIGHT GATE (3)



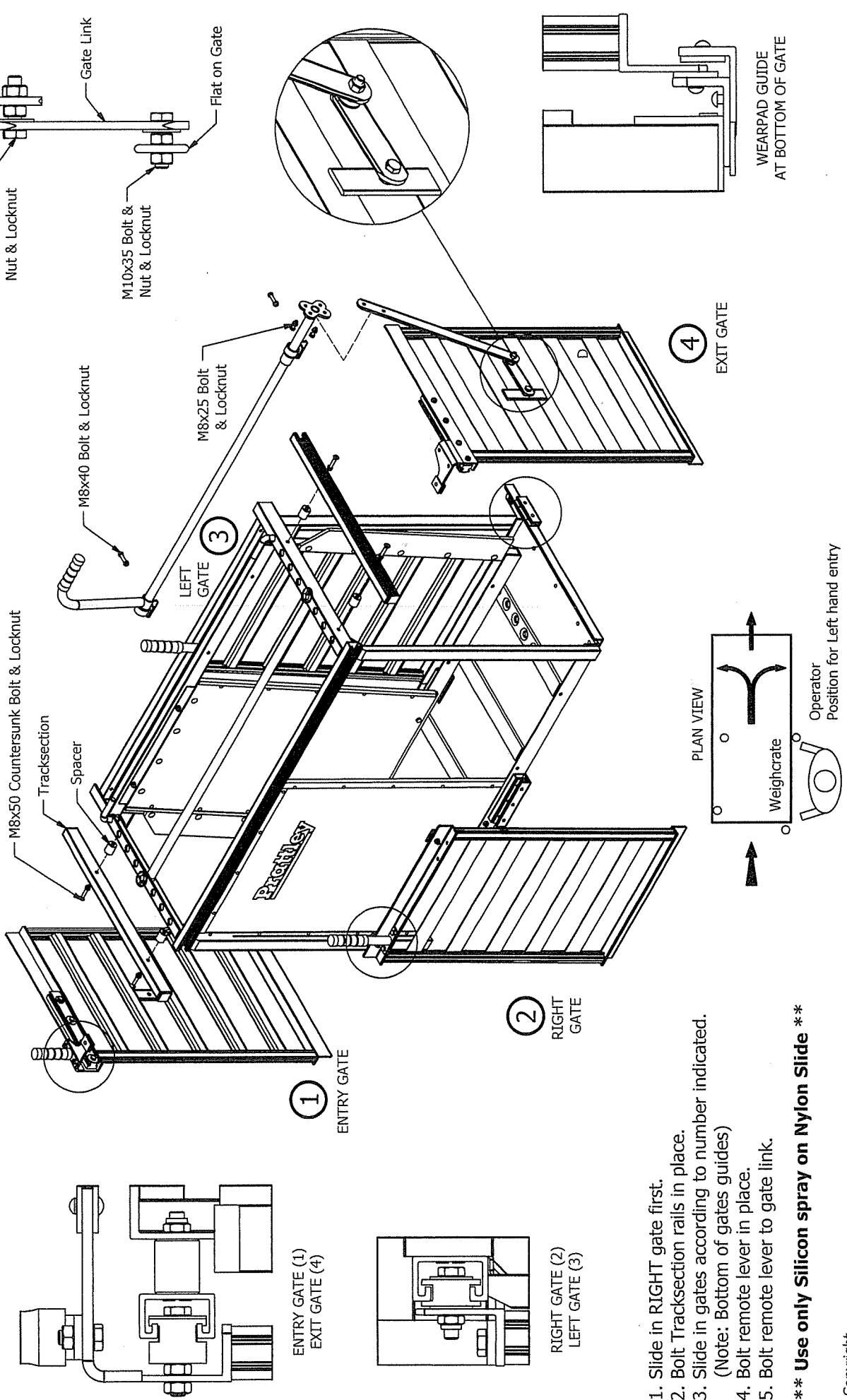
WEARPAD GUIDE
AT BOTTOM OF GATE

© Copyright.

Title S03400R - MANUAL WEIGH CRATE UNIVERSAL (RIGHT HAND ENTRY ASSEMBLY)

Dwg No S034-95R

MANUAL WEIGHCRATE UNIVERSAL (LEFT HAND)



1. Slide in RIGHT gate first.
2. Bolt Tracksection rails in place.
3. Slide in gates according to number indicated.
(Note: Bottom of gates guides)
4. Bolt remote lever in place.
5. Bolt remote lever to gate link.

**** Use only Silicon spray on Nylon Slide ****

© Copyright.